

DITA

155 mm CALIBER

DITA uses a standard 155 mm caliber ammunition on a gun of 45 caliber, easily available and providing an extensive range up to 39 km.

NEW NATO STANDARD 155 MM AUTOMATED SELF PROPELLED HOWITZER



The 155 mm DITA self-propelled howitzer is a new modern artillery weapon using a NATO standard 155 mm ammunition. It derives from the original Czechoslovak concept of Tatra truck-mounted howitzers, but it takes the autonomy of operation into a new level - DITA offers an unprecedented rate of fire with only 2 members of the crew. It features a modern fire control system, high speed in taking up and leaving the firing position, great accuracy and excellent hard terrain crossability.

The DITA howitzer is equipped with a powerful Onboard Control System which contains subsystems of diagnostics, navigation, automatic gun aiming, autonomous calculation of shooting elements and ammunition selection subsystem.

MINIMAL CREW REQUIREMENTS

Thanks to full automation of the system, the vehicle is operated by a crew of only 2 - driver and commander.

CREW COMFORT AND PROTECTION

High performance heating, A/C and NBC filtration system. Cabin protected according to STANAG 4569 Level I.

SMART CONTROLS

Vehicle is equipped with ergonomically distributed driver's and commander's controls - vehicle controls, C2I systems, FCS, CTIS etc.

APHU

An auxiliary 24 V hydraulic power unit serves as the main source for weapon systems and turret operation.

AUTOMATIC GUN AIMING

The DITA howitzer is equipped with a special A.S.A.P. system (Automatic Setting of Action Position) and with an ammunition control system which greatly enhance the speed of task execution and overall effectivity of the weapon.



PARAMETERS

weight		29t
dimensions	L	13,020 mm
	W	3,085 mm
	H	3,122 mm
engine	type	Tatra T3C-928-90
	output	300 kW
mobility*	top speed - on road	90 km/h
	top speed - off road	25 km/h
	cruising range	600 km
	fording depth (instant)	1.2 m
	gradient	30°
	side slope	15°
	vertical obstacle	0.47 m
	trench crossing	2.0 m

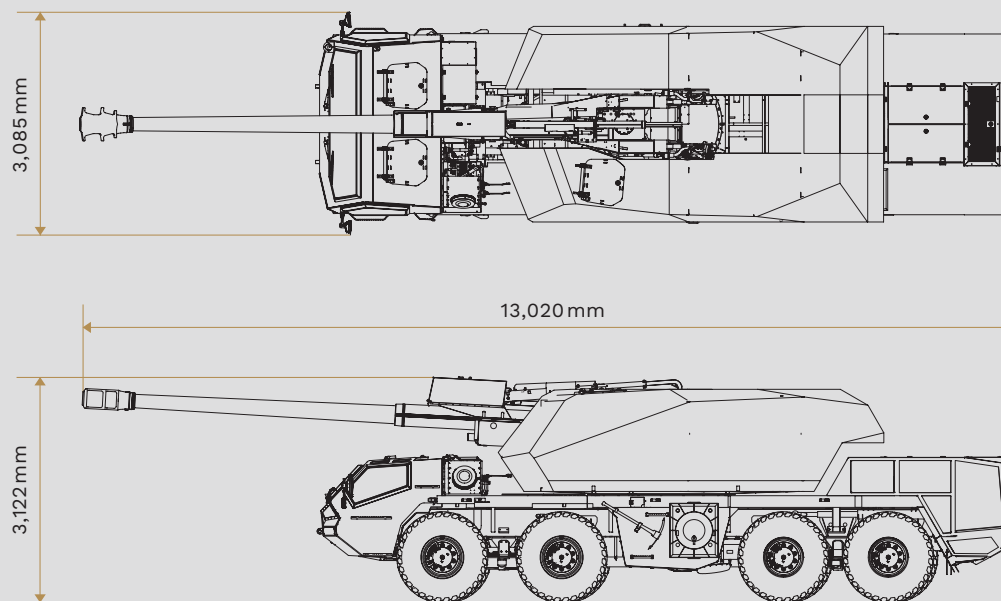
*) Preliminary parameters.



Autonomous gun superstructure portable to different types of chassis, e.g. tracked.

SPECIFIC PARAMETERS

armament	main	155 mm howitzer
	firing range	39,000 m
	elevation	-3° / 70°
	traverse	± 60°
	guidance of weapon	fully automatic / manual (emergency)
	loading	automatic loading
	rate of fire - 1 st minute	6/min.
	rate of fire - sustained	5/min.
	carried ammunition	40
	control of fire	on board control system with ballistic computer



EXCALIBUR ARMY spol. s r.o.
Kodaňská 521
101 00 PRAHA 10
Czech Republic

EXCALIBUR ARMY spol. s r.o.
Olomoucká 1841/175
785 01 ŠTERNBERK
Czech Republic

EXCALIBUR ARMY spol. s r.o.
Tovární 1553
535 01 PŘELOUČ
Czech Republic

EXCALIBUR ARMY spol. s r.o.
Čepí 101
533 32 ČEPÍ
Czech Republic

member of **CSG**
CZECHOSLOVAK GROUP